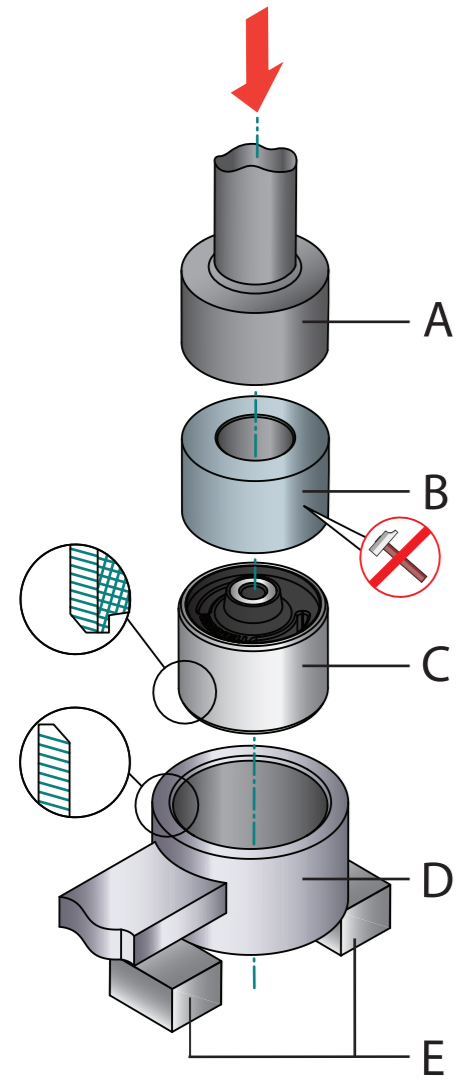
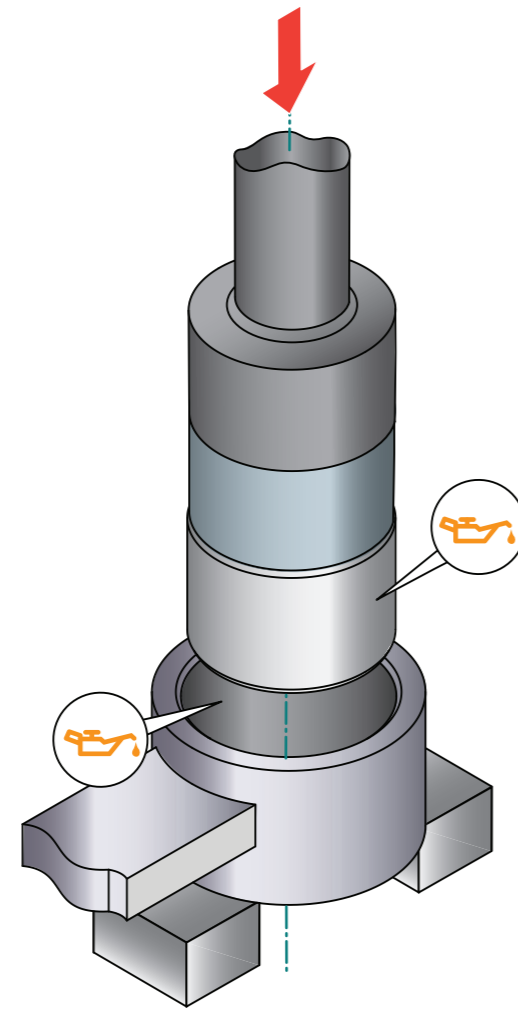


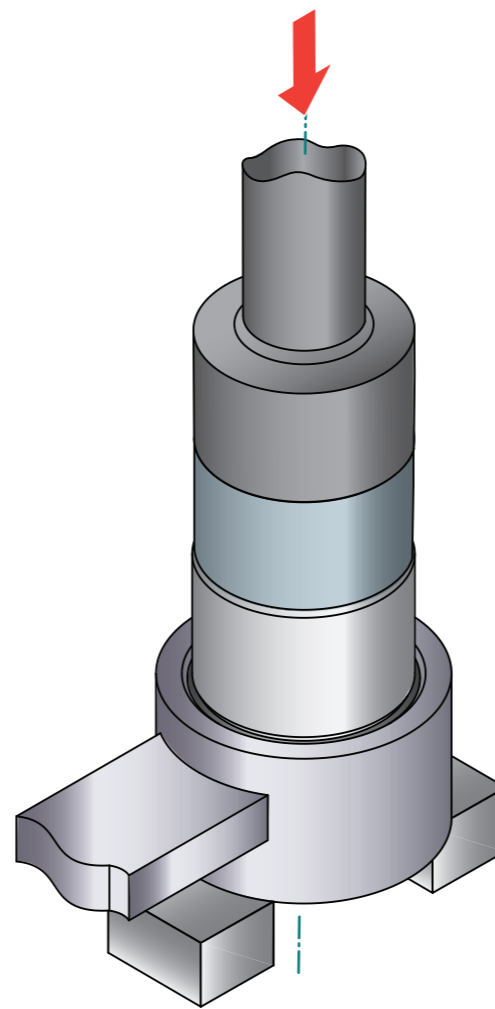
1



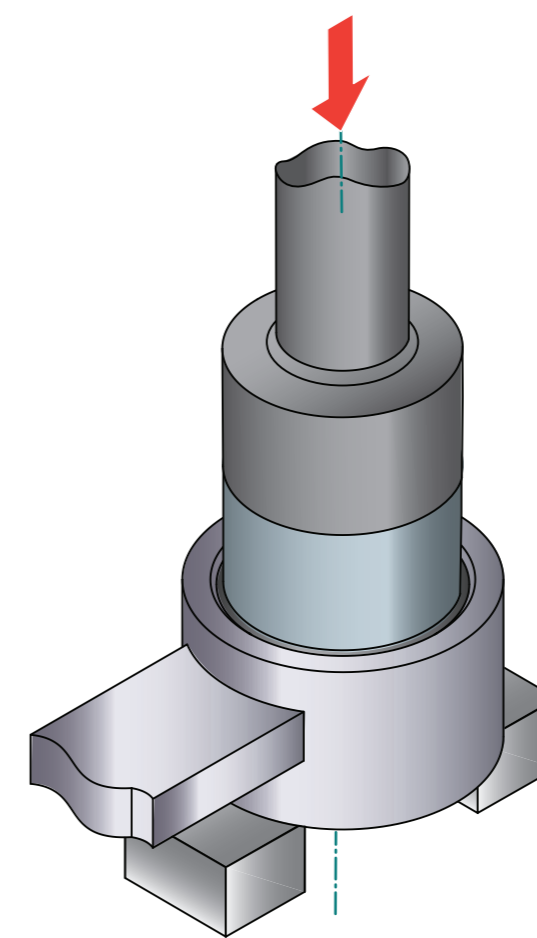
2



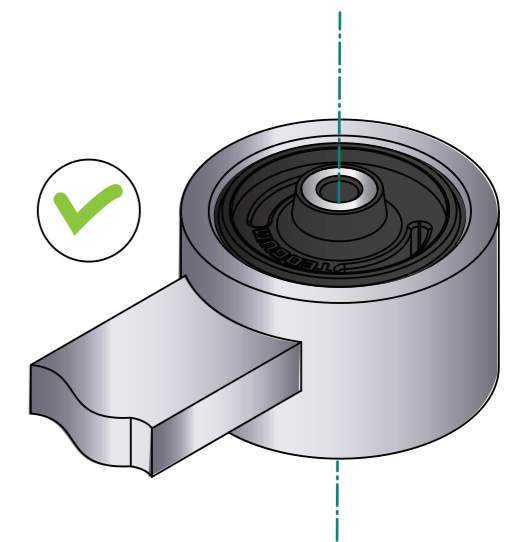
3



4



5



Lubricate the indicated surfaces with grease



Do not use the hammer for assembly. It can damage the element.

A Press piston
B Auxiliary sleeve

C Metal-rubber-metal bushing
D Swingarm socket

E Support