



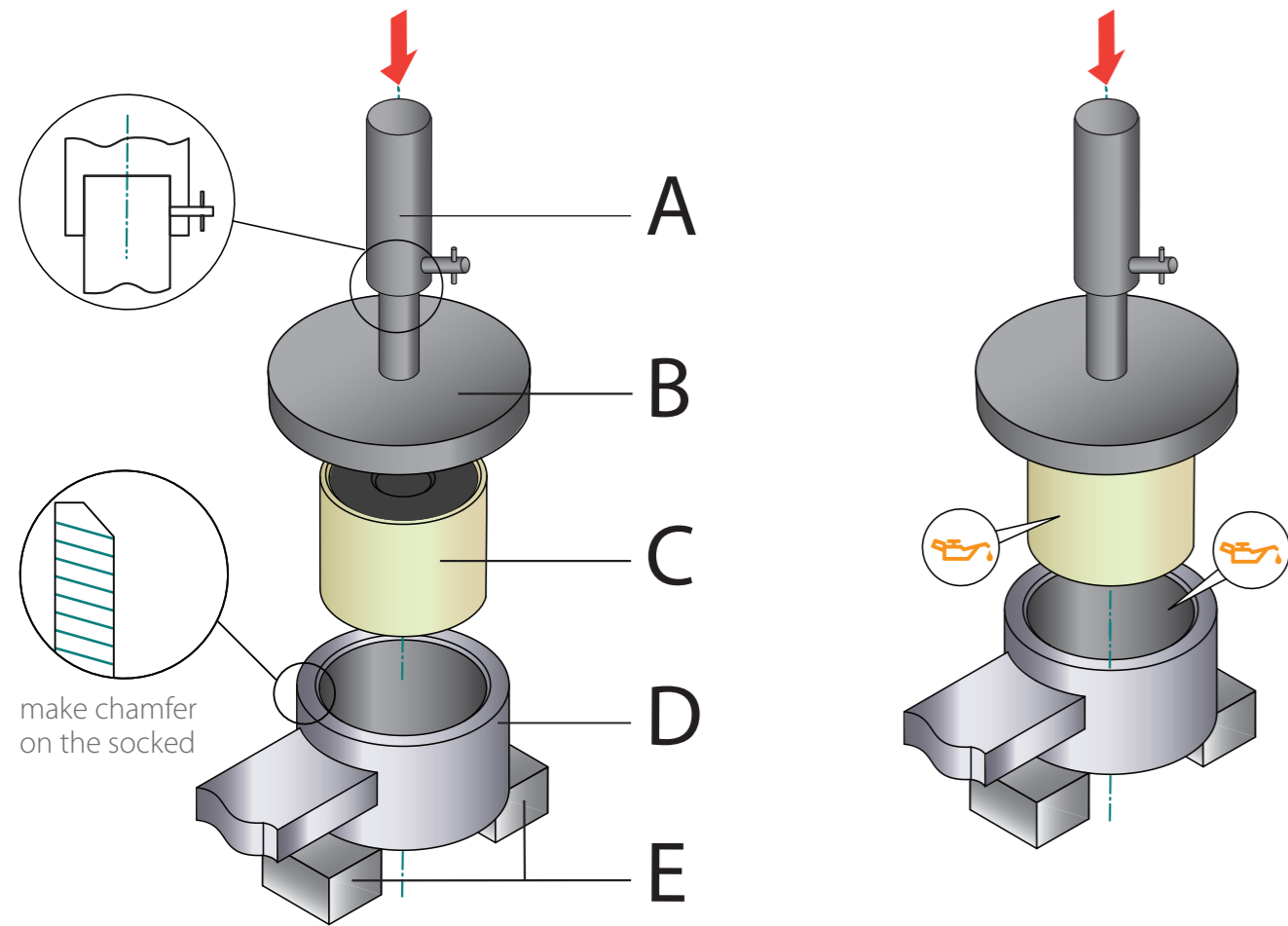
INSTALLATION OF A RUBBER-PLASTIC BUSHING (MANUAL #10)

A - DIRECTLY IN THE SOCKET

1

2

3

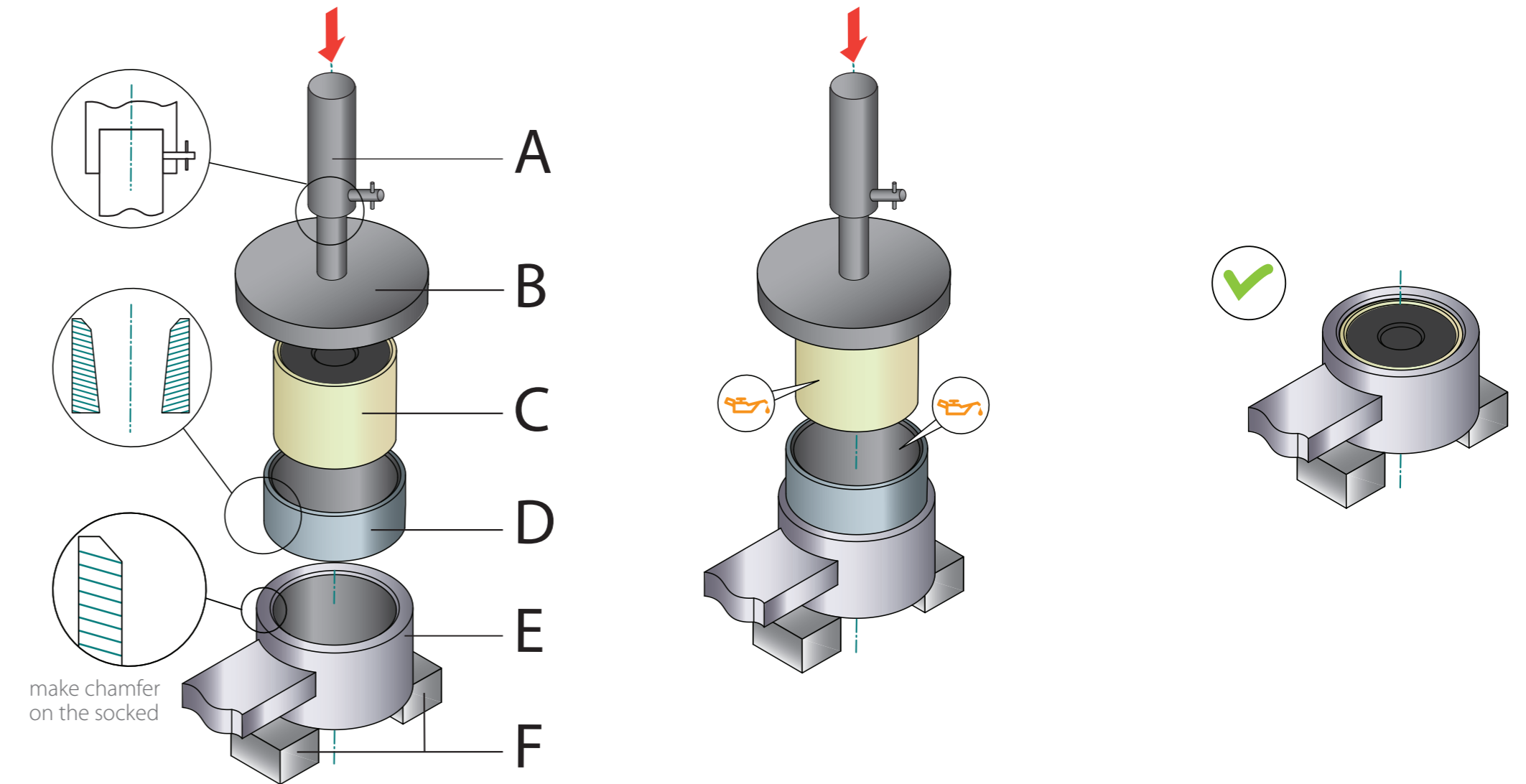


B - USING TAPERED SLEEVE

1

2

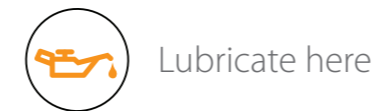
3



A Press piston
B Metal plate

C Rubber-plastic bushing
D Socket

E Support pads



A Press piston
B Metal plate

C Rubber-plastic bushing
D Tapered sleeve

E Socket
F Support pads