

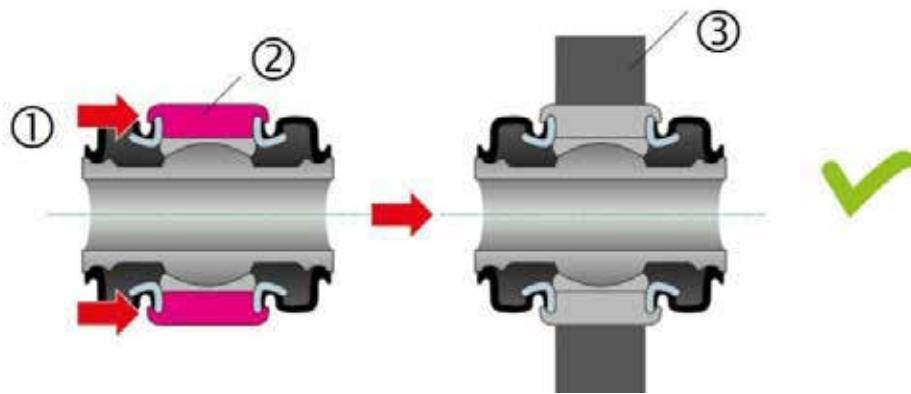


MANUAL TEDGUM

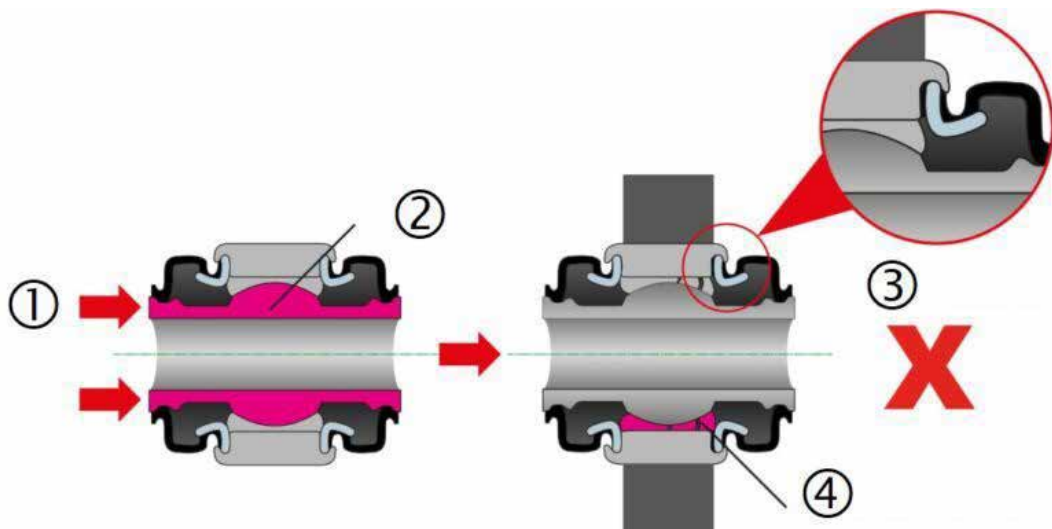


A floating bushing replacement (Manual #7)

A floating bushing is a special example of a swingarm bushing. It differs in structure compared to a standard metal-rubber bushing both in appearance and mode of operation. Floating bushings are also particularly vulnerable to damage when incorrectly pressed. The correct assembly of the bushing as well as the consequences of incorrect assembly are presented below:



- 1) Points of pressure
- 2) Outer bushing
- 3) Socket



- 1) Points of pressure
- 2) inner bushing
- 3) Deformation and backlash between elements
- 4) Damage of the element



This and other manuals are available for download on our website at:
<https://www.tedgum.pl/en/technical-support/>

Manual shown above is just a presentation showing how the repair procedure can be made. TEDGUM® company does not bear responsibility for any errors in the manual and incorrect interpretation of the manual. Repair should be preceded by skilled personnel with the use of appropriate tools and with keeping all the safety means. All rights reserved.